

Trine 4800 Labeling System



Features

- Servo-driven label registration compensates for label length variations
- Dual discharge stabilizer with product stability control
- Extended feedscrew design
- Allen-Bradley PLC & color touch screen
- Enhanced vacuum capability improves label control
- Reinforced frame minimizes machine vibration
- Stainless steel guard system
- Replaces existing Trine 6500s and Trine 6700s
- Small footprint takes up minimal space
- Custom product handling

Trine 4800 Roll-Fed Labeling System

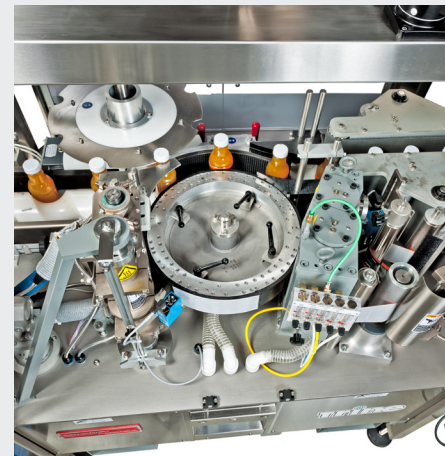
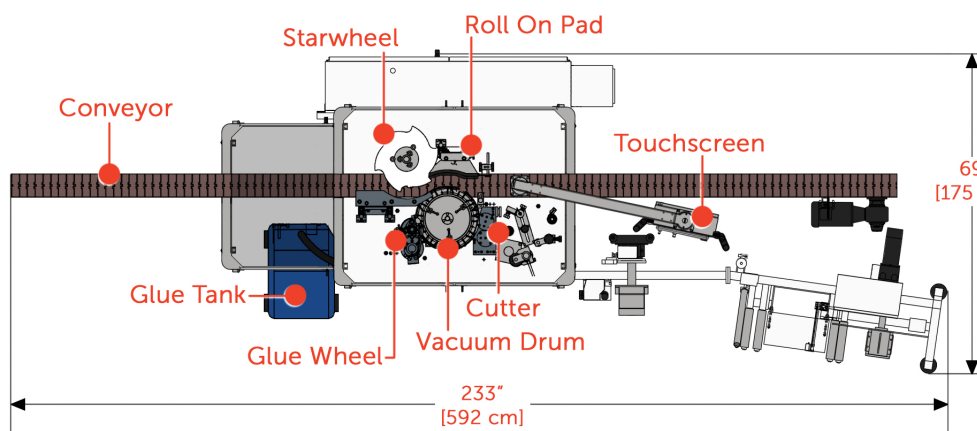
Speeds up to 600 containers per minute

The Trine Model 4800 roll-fed wraparound system is based off the industry standard Trine Model 4500. Designed with the same small footprint, the 4800 provides labeling speeds up to 600 cpm (36,000 cph). Equipped with advanced quick-change parts and positioning indicators for key components, a product changeover can be accomplished in less than 20 minutes. The 4800 incorporates the latest label control as well as an extended feedscrew design and a dual discharge stabilizer with product stability control. With faster changeovers, and affordable change parts, the 4800 is ideal for maximizing return on investment in demanding environments.

With applications in beverage, food, pharmaceutical, cosmetic, dairy, aerosol and nutritional product industries, Trine roll-fed labelling systems have proven versatility and provide ongoing savings by replacing higher cost cut-and-stack labels. With over 2,000 Trine systems currently labelling brands such as Coke and Pepsi, you too can rely on Trine labellers.

Options

- Air conditioned electrical enclosure
- Alternative voltages, conveyor heights, and colors
- 3-Station or 4-Station set up
- Dual Label Roll with power unwind



Maximum Speed:	600 Containers per Minute
Repeat Length:	3-Station: 6" to 16.5" [152.4 mm to 419.1 mm] 4-Station: 6" to 11.5" [152.4 mm to 292.1 mm]
Web Width:	1" to 8" [25.4 mm to 203.2 mm]
Diameter:	2" to 5" [50.8 mm to 127 mm]
Air	80 psi (5.52 bar), 12-15 cfm (340-425 L/min)
Electrical:	240 VAC, 3-Phase, 50/60hz
Weight:	4,500 lbs [2,041 kg]

** All specification and tooling requirements are subject to Accraply evaluation of all label and product samples. Specifications shown reflect standard machine capabilities. Accraply can also meet other specification requirements. Please call for details.*

Accraply's Gold Standard of Service

"We commit to deliver the highest level of customer care driven by our passion to provide the best customer experience in everything we do."

Accraply | Trine | Stanford | Graham & Steevit | Harland

Accraply

9350 W Broadway Avenue, Suite 190
Minneapolis, MN 55445 USA

+1 (763) 557-1313
accraply.com

